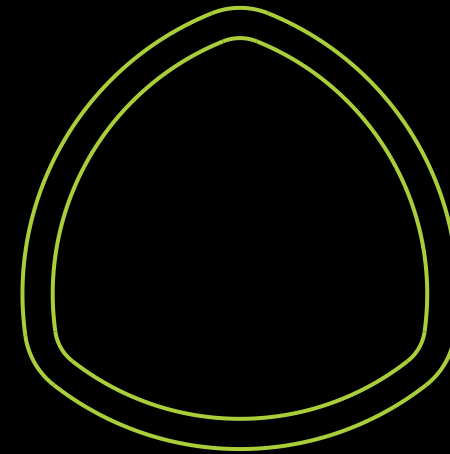




TriGO<sup>o</sup>





## Why triangular tubes?

Our research and development teams have perfected the triangular tubes that form the basis of your **Trigo**. Apart from giving your wheelchair a modern and unique look, they have the advantage of making your Trigo lighter while maintaining optimal strength.

# TRIGO S



Our wheelchair is available in two versions. First, there is **Trigo S**, an active and foldable chair with integrated footrests into the frame. The design of Trigo S is active and sporty. This configuration makes the wheelchair even lighter, while maintaining maximum strength.





# TRIGO T



There is also a second model, **Trigo T**. This wheelchair has been designed with the same modern look. The foldable frame has retractable and removable footrests. Its design makes this model ideal for easy transport.

## DESIGN

**VERMEIREN** has designed **Trigo** as an ultra-modern wheelchair to suit everyone's taste. Therefore, your Trigo can be fully personalised upon ordering; from the frame to the wheels, including the armrests and a range of more than 30 possible colours. In short, there are almost as many different Trigo wheelchairs as there are users!





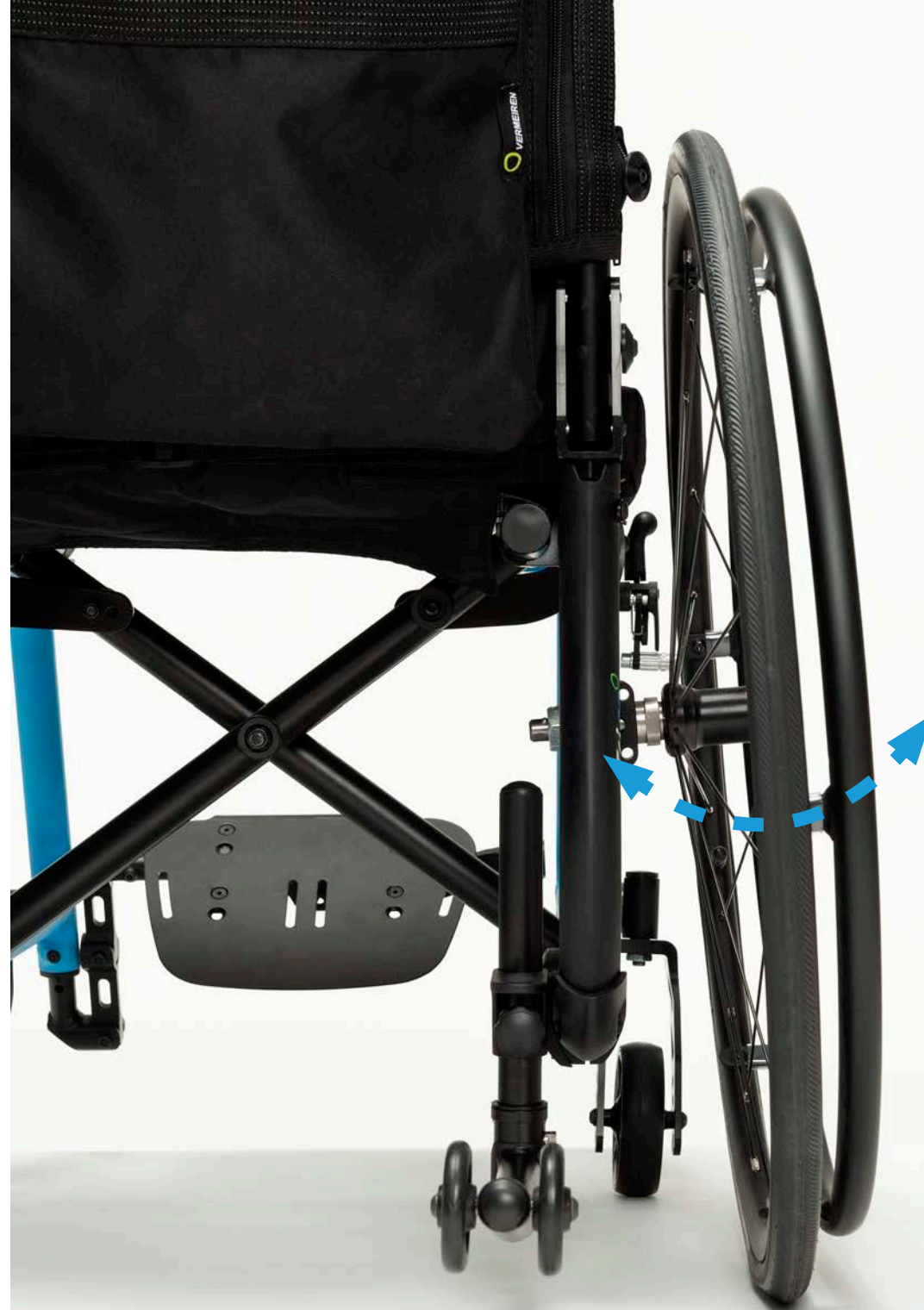
## INFINITELY ADJUSTABLE

Apart from the configurations to be chosen upon ordering (size, type of backrest, armrests, frame, options,...), your **Trigo** remains a dynamic chair. A large number of adjustments can be made on each chair, such as wheel camber, seat height,...



## ADJUSTABLE WHEEL CAMBER FOR EACH WHEELCHAIR

Thanks to an ingenious system, the wheel camber of your **Trigo** can be altered directly on your chair! The camber can be altered in the desired position of  $0^\circ$ ,  $2^\circ$ ,  $4^\circ$  or  $6^\circ$  (depending on configuration). Your Trigo will be delivered with the camber as chosen upon ordering.







## POSITIONING OF THE WHEELS

To adapt **Trigo** to the user and to make it more or less 'active', the position of the rear wheels can be adjusted directly on the frame of your wheelchair. The rear wheels can be adjusted forward or backward into 8 different positions. Your Trigo is delivered with its wheels in the position as asked upon ordering.



## BACKREST INCLINATION

There are 3 possible backrests for **Trigo**: a fixed backrest, an inclinable backrest, and an inclinable and foldable backrest. For the second and third options, the backrest inclination can be easily adjusted on the chair frame.



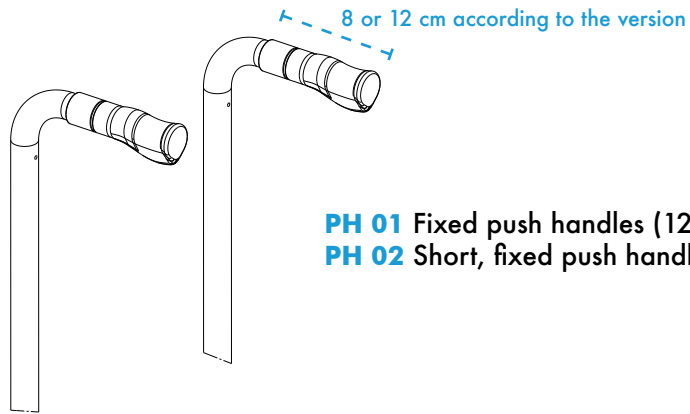
## AVAILABLE IN CHILDREN'S SIZES

The **Trigo** wheelchair has been designed in such a way that it is suitable for adults as well as children. For this reason, Trigo is available in seat widths 30 cm up to 50 cm. Even for the smaller sizes, a wide variety of accessories and options is available.

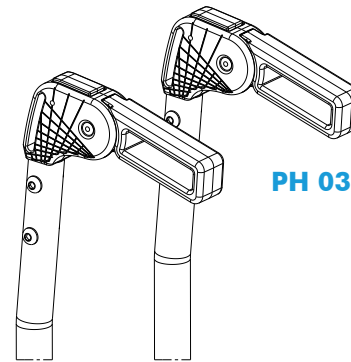


# OPTIONS

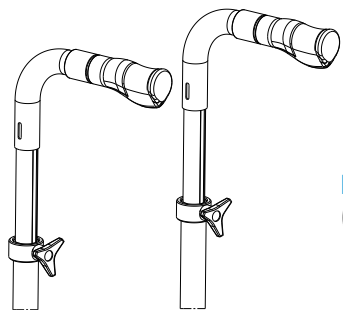
## PUSH HANDLES



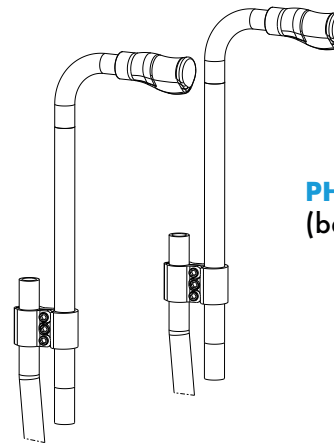
**PH 01** Fixed push handles (12 cm)  
**PH 02** Short, fixed push handles (8 cm)



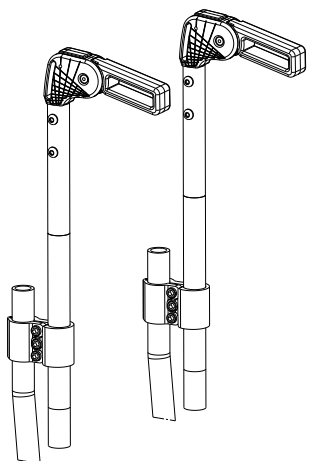
**PH 03** Fixed, foldable push handles



**PH 04** Height-adjustable push handles  
(inside backrest tubes)



**PH 05** Height-adjustable push handles  
(behind backrest tubes)



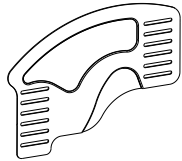
**PH 06** Foldable and height-adjustable  
push handles (behind backrest tubes)

Push handles **PH 03** and **PH 06**  
are fully foldable.

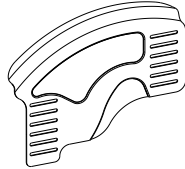


# OPTIONS

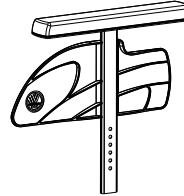
## ARMRESTS AND CLOTHING PROTECTORS



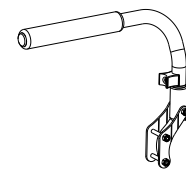
**B82-S or B82-C FIXED**  
Fixed, adjustable clothing protectors, aluminium or carbon



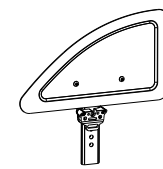
**B82 FIXED**  
Fixed, adjustable clothing protectors, aluminium with mudguard



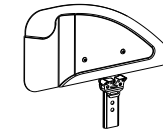
**Bi5**  
Height-adjustable armrests



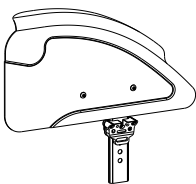
**TUBE**  
Armrests, retractable to the rear (only with fixed backrest)



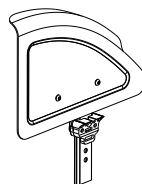
**B82S-A**  
Removable and adjustable clothing protectors, aluminium



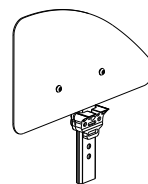
**B82SL-A**  
Long, removable armrest, aluminium



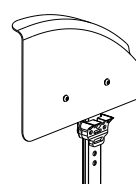
**B82L-A**  
Long, removable and adjustable clothing protectors with mudguard, aluminium



**B82-A**  
Removable and adjustable clothing protectors with mudguard, aluminium

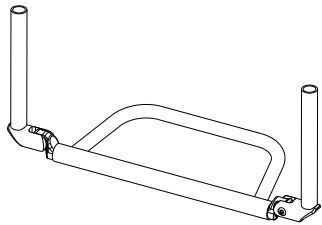


**B82S-C**  
Removable and adjustable clothing protectors, carbon

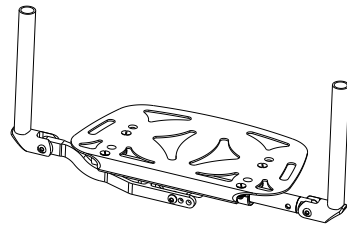


**B82-C**  
Long, removable and adjustable clothing protectors with mudguard, carbon

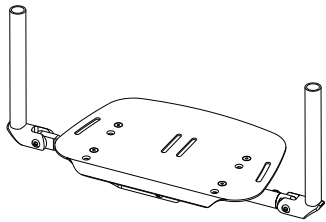
Available in angles of 70°, 80° and 90°



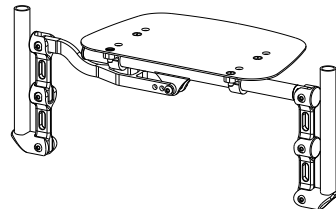
Monobloc tube  
in aluminium



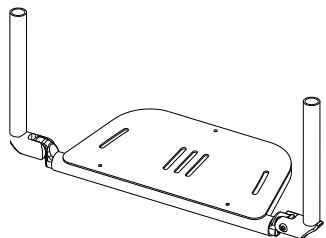
Monobloc, footplate  
in aluminium, foldable



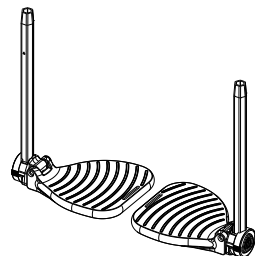
Monobloc, footplate  
in carbon, foldable



Monobloc, with  
higher footplate



Monobloc, with  
retractable footplate



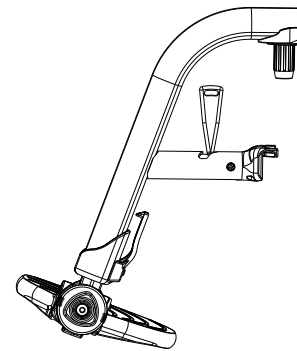
Separate  
footplates



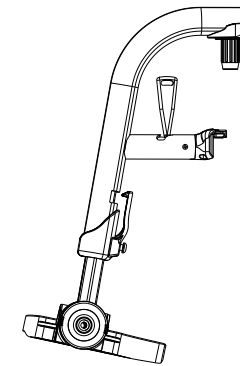
**S** TRIGO S

# OPTIONS

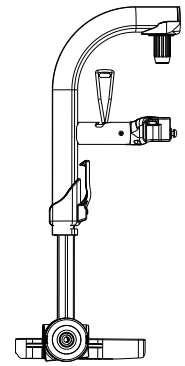
## FOOTRESTS



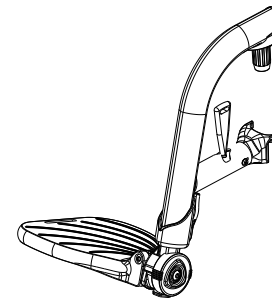
70°



80°



90°



BA6 footrests,  
shortened by 5cm



**T** TRIGO T

# OPTIONS

## WHEELS

### Front wheels



**Standard black**  
3", 4", 5", 6"



**Transparent**  
3", 4", 5", 6"



**Aluminium silver**  
3", 4", 5"



**Aluminium blue**  
3", 4", 5"



**Aluminium red**  
3", 4", 5"



**Carbon**  
4", 5"



**LED**  
4", 5"

### Rear wheels



**Standard wheels 18"**  
18"



**Design wielen**  
20", 22", 24", 26"



**Spirit Wheels Aluminium**  
24"



**Spirit wheels red**  
24"



**Spirit wheels blue**  
24"



**Off-road wheels**  
24"

Measuring unit: inches



**Right Run black tyres**  
available with Design  
and Spirit wheels



**Marathon Plus tyres**  
available with Design  
and Spirit wheels

# OPTIONS

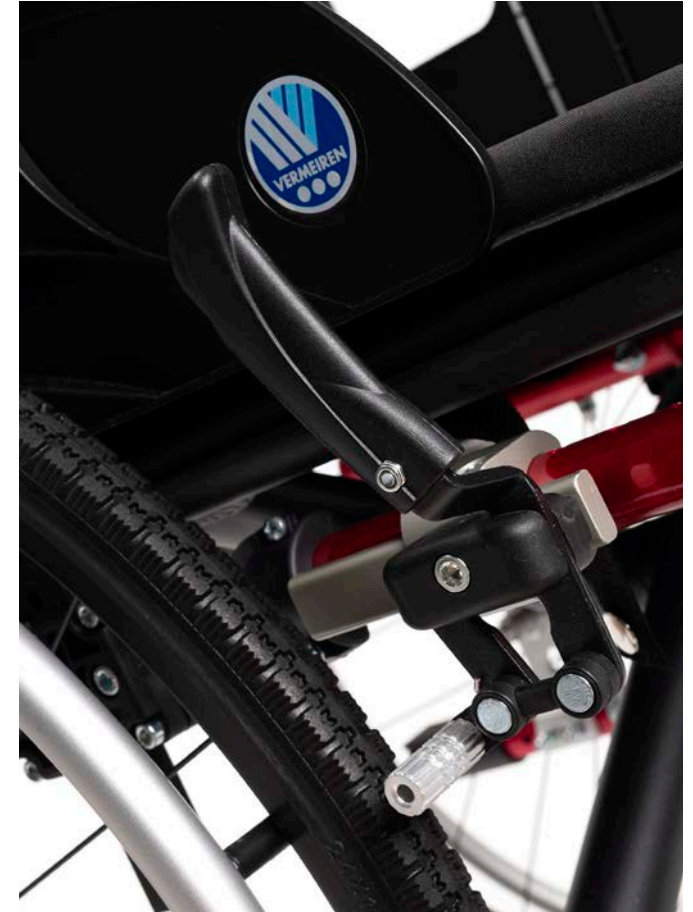
## BRAKES



Push or pull brakes



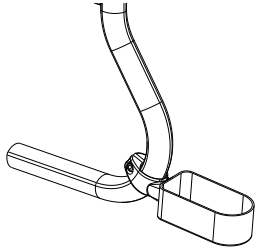
Sport brakes



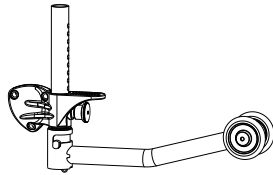
Traditional brakes with retractable handles (B40)

# OPTIONS

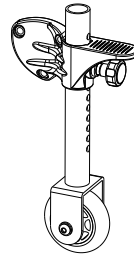
## OPTIONS AND ACCESSORIES



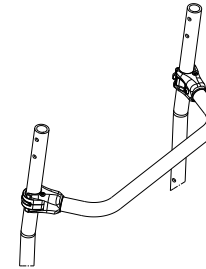
**Crutch holder**  
left or right  
B31L or B31R



**Anti-tipping wheel**  
left or right  
B78L or B78R



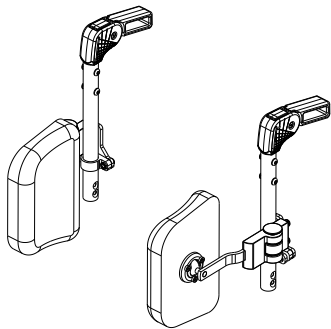
**Travel wheels**  
B86



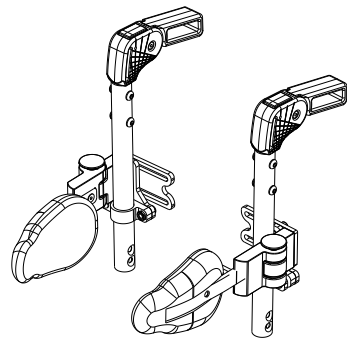
**Stabilisation bar**  
for backrest  
B90



**Neoflex belts**  
Consult all possible  
solutions on our website  
[www.vermeiren.com](http://www.vermeiren.com)



**Side supports left**  
or right (large size)  
L04 L or L04 R



**Side supports left**  
or right (small size)  
L04S L or L04S R



**Drum brake**  
grey wheels  
24" x 1/3 8"

**Spoke protectors**  
Consult all possible  
models on our website  
[www.vermeiren.com](http://www.vermeiren.com)

More options and accessories to be found on our order forms.



# MULTIPLE COLOUR OPTIONS!



**C4M - Bright Red Mat**  
**C4G - Bright Red Gloss**



**C5M - Black Mat**  
**C5G - Black Gloss**



**C8M - Yellow Mat**  
**C8G - Yellow Gloss**



**C29M - Bright Grey mat**  
**C29G - Bright Grey Gloss**



**C53M - Orange Mat**  
**C53G - Orange Gloss**



**C55M - Inox Mat**  
**C55G - Inox Gloss**



**C56M - Blue Grey Mat**  
**C56G - Blue Grey Gloss**



**C59M - Champagne Mat**  
**C59G - Champagne Gloss**



**C71G - Metallic  
Deep Blue**



**C72G - Metallic  
Cherry Red**



**C73G - Metallic  
Bright Green**



**C76M - Metallic White Mat**  
**C76G - Metallic White Gloss**



**C78G - Soft  
Blue Gloss**



**C79M - Metallic Bright Blue Mat**  
**C79G - Metallic Bright Blue Gloss**



**C85M - Grass Green Mat**  
**C85G - Grass Green Gloss**



**C87M - Melon Orange Mat**  
**C87G - Melon Orange Gloss**



**C88M - Gold Mat**  
**C88G - Gold Gloss**  
(with surcharge)



**C89M - Copper Mat**  
**C89G - Copper Gloss**  
(with surcharge)



**Dozens of other  
colours at your request.**  
(with surcharge)

# TECHNICAL DATA



seat width : **300 up to 500 mm** (steps of 20 mm)

total width (camber 0°) : **460 up to 660 mm**

seat depth : **300 up to 500 mm** (steps of 20 mm)

seat height : **380 up to 510 mm** (according to configuration)

total weight : **starting from 10kg** (according to configuration)

maximum user weight : **70 or 130kg** (according to configuration)

possibility of foldable backrest : **yes**

backrest height : **250 up to 510 mm** (according to configuration)

front wheels : **3", 4", 5", 6"**

rear wheels : **18", 20", 22", 24", 26"**

wheel camber : **0° up to 6°** (directly adjustable on the chair)

Available upholstery: **Nylon, Cordura, AirFlow**

Dimensions in mm, weight in kg. Measurement tolerance: 15 mm, 1,5 kg, 1,5°

# NOTES

## VERMEIREN

### N.V. VERMEIREN N.V.

Vermeirenplein 1-15  
2920 Kalmthout  
Belgium

Tel : +32 (0)3 620 20 20  
Fax : +32 (0)3 666 48 94  
@ : info@vermeiren.com

[www.vermeiren.com](http://www.vermeiren.com)

All rights reserved, including translation. • No part of this manual may be reproduced in any form what so ever (print, photocopy, microfilm or any other process) without written permission of the publisher, or processed, duplicated or distributed by using electronic systems.

Edition: March 2020.

Images shown only for illustration purposes. Certain features may be optional.  
Subject to technical alterations.

Visit our website the for the most up to date information: [www.vermeiren.com](http://www.vermeiren.com)

For more information,  
contact your local dealer

TriGO<sup>o</sup>